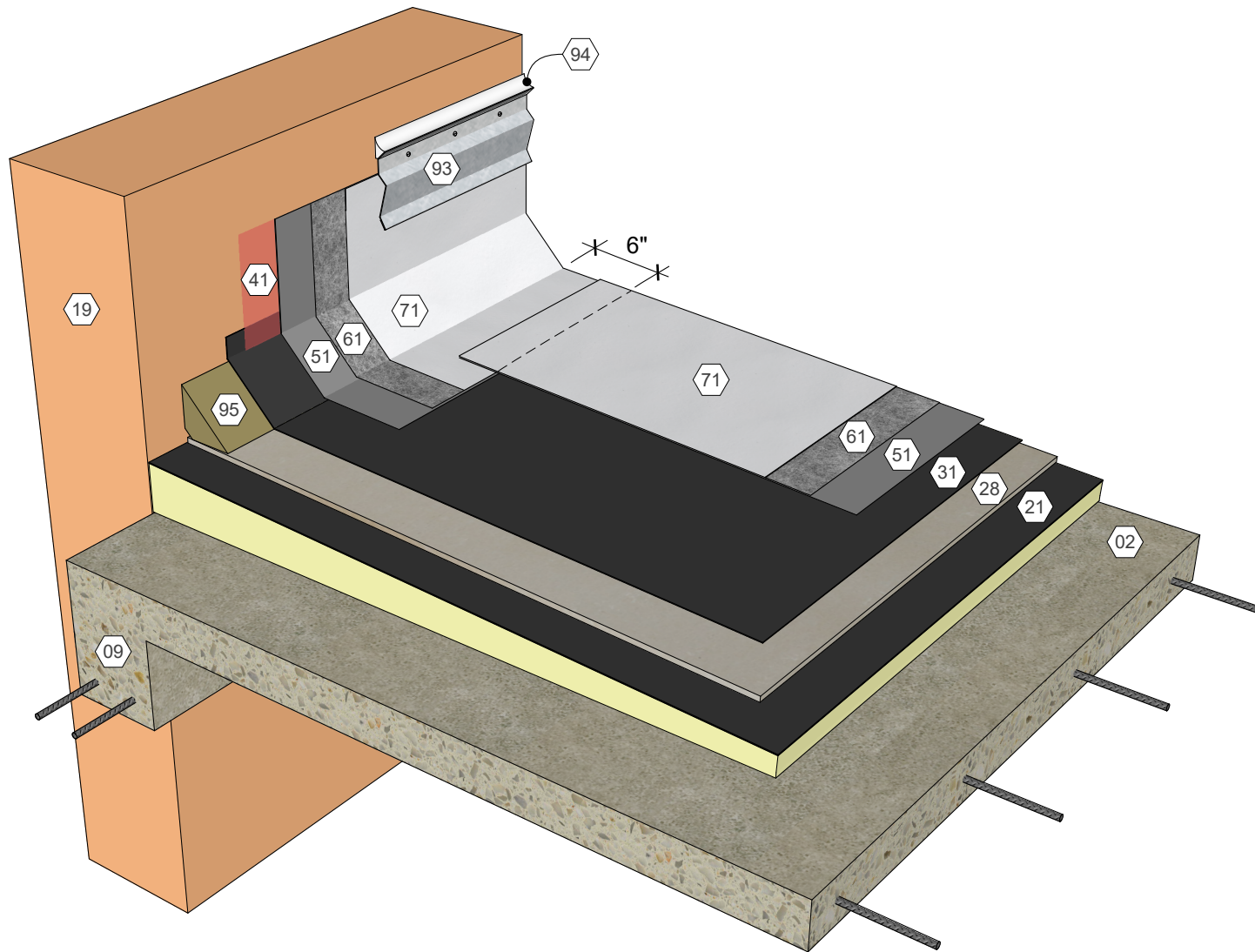


KEY NOTES

- 01 Metal Deck
- 09 Roof Structure
- 19 Wall Assembly
- 22 Polyisocyanurate Insulation (Fastened or Adhered)
- 28 Cover Board (Adhered)
- 31 Approved Base Ply Sheet
- 41 Approved Primer
- 51 AlphaGuard MT/MTS Base Coat
- 61 AlphaGuard Glass Mat or Permafab
- 71 AlphaGuard MT/MTS Top Coat
- 93 Counterflashing, Optional
- 94 Tremseal D, Optional
- 95 Cant Strip

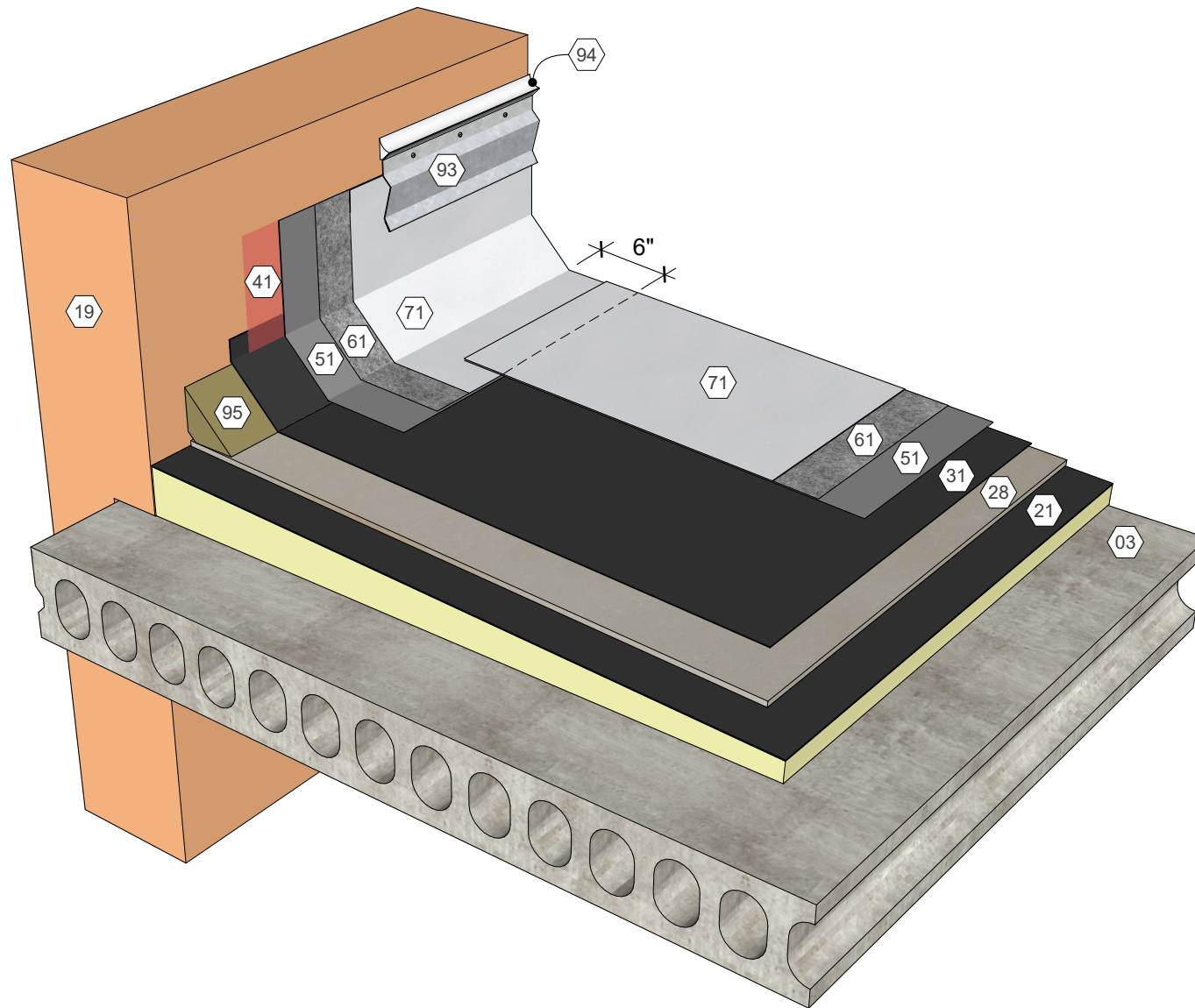
AlphaGuard® MT/MTS Plus Parapet Wall Detail, Metal Deck
Detail 22051



KEY NOTES

- ①02 Structural Concrete Deck
- ①09 Roof Structure
- ①19 Wall Assembly
- ①21 Polyisocyanurate Insulation (Adhered)
- ①28 Cover Board (Adhered)
- ①31 Approved Base Ply Sheet
- ①41 Approved Primer
- ①51 AlphaGuard MT/MTS Base Coat
- ①61 AlphaGuard Glass Mat or Permafab
- ①71 AlphaGuard MT/MTS Top Coat
- ①93 Counterflashing, Optional
- ①94 Tremseal D, Optional
- ①95 Cant Strip

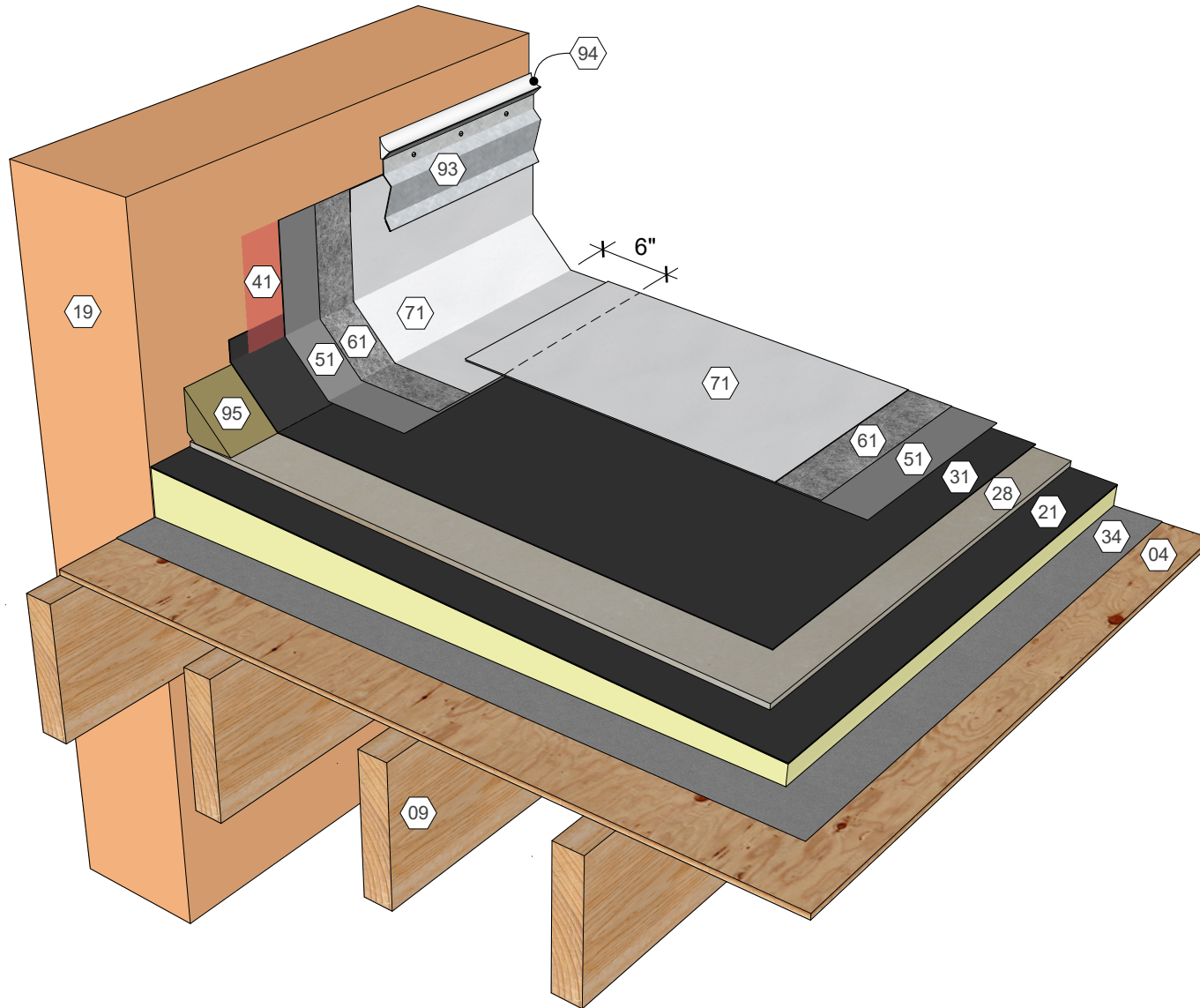
AlphaGuard® MT/MTS Plus Parapet Wall Detail, Structural Concrete Deck
 Detail 22052



KEY NOTES

- 03 Precast Concrete Deck
- 19 Wall Assembly
- 21 Polyisocyanurate Insulation (Adhered)
- 28 Cover Board (Adhered)
- 31 Approved Base Ply Sheet
- 41 Approved Primer
- 51 AlphaGuard MT/MTS Base Coat
- 61 AlphaGuard Glass Mat or Permafab
- 71 AlphaGuard MT/MTS Top Coat
- 93 Counterflashing, Optional
- 94 Tremseal D, Optional
- 95 Cant Strip

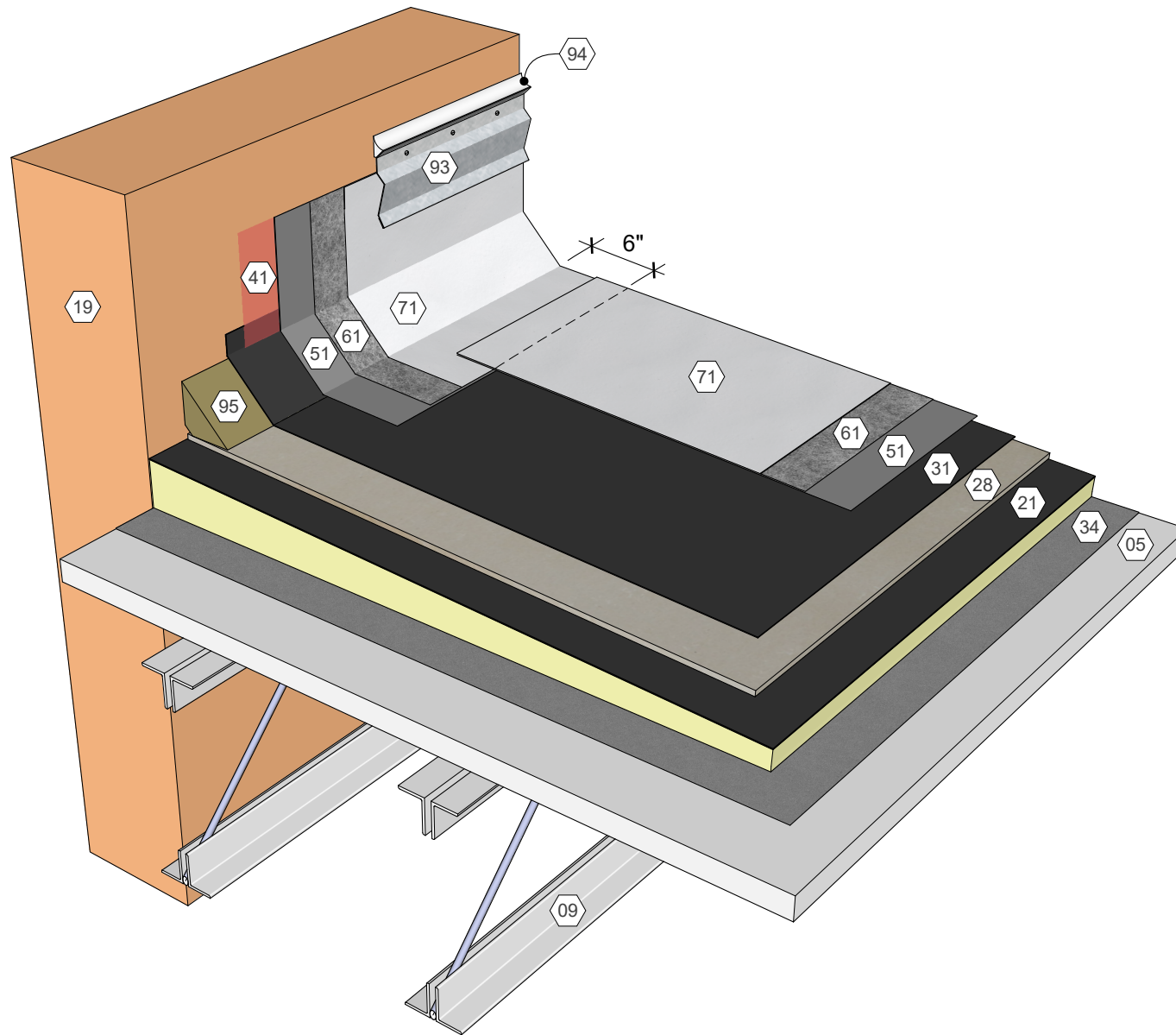
AlphaGuard® MT/MTS Plus Parapet Wall Detail, Precast Concrete Deck
 Detail 22053



KEY NOTES

- 04 Wood Deck
- 09 Roof Structure
- 19 Wall Assembly
- 21 Polyisocyanurate Insulation (Adhered)
- 28 Cover Board (Adhered)
- 31 Approved Base Ply Sheet
- 34 Base Sheet (Fastened)
- 41 Approved Primer
- 51 AlphaGuard MT/MTS Base Coat
- 61 AlphaGuard Glass Mat or Permafab
- 71 AlphaGuard MT/MTS Top Coat
- 93 Counterflashing, Optional
- 94 Tremseal D, Optional
- 95 Cant Strip

AlphaGuard® MT/MTS Plus Parapet Wall Detail, Wood Deck
Detail 22054



KEY NOTES

- 05 Gypsum Deck
- 09 Roof Structure
- 19 Wall Assembly
- 21 Polyisocyanurate Insulation (Adhered)
- 28 Cover Board (Adhered)
- 31 Approved Base Ply Sheet
- 34 Base Sheet (Fastened)
- 41 Approved Primer
- 51 AlphaGuard MT/MTS Base Coat
- 61 AlphaGuard Glass Mat or Permafab
- 71 AlphaGuard MT/MTS Top Coat
- 93 Counterflashing, Optional
- 94 Tremseal D, Optional
- 95 Cant Strip

AlphaGuard® MT/MTS Plus Parapet Wall Detail, Gypsum Deck
 Detail 22055